

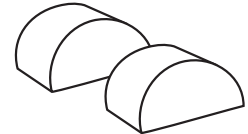
Thomas & Friends™

Signature Cake Cutting Instructions

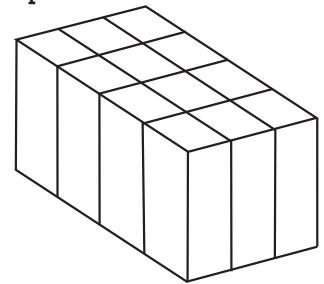
Cutting Directions Serves 30:

1. Start by removing the 1/2 cupcakes. serve as one piece.
2. Next cut down the length of the nose through both layers. Cut both layers into four equal pieces widthwise. Serve both layers as individual servings - 8 pieces.
3. Cut the train cab lengthwise into three equal slices through both layers. Cut both layers widthwise into four equal pieces. Serve both layers as individual servings - 12 pieces.
4. The final step is to cut the base. Cut the notched front widthwise and serve as one piece. Then cut the base lengthwise down the center, and widthwise in six equal pieces - 12 pieces.

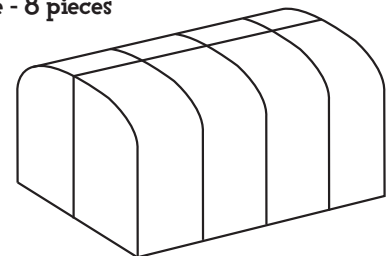
1/2 cupcake - 1 piece



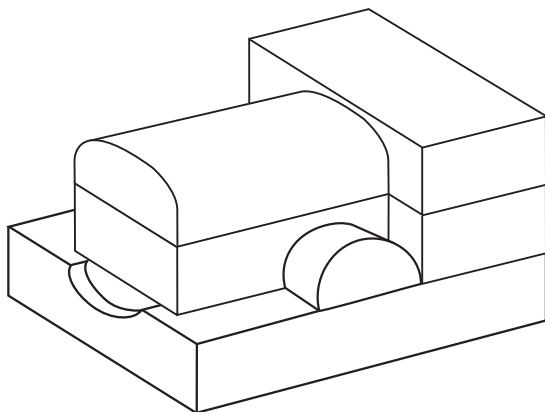
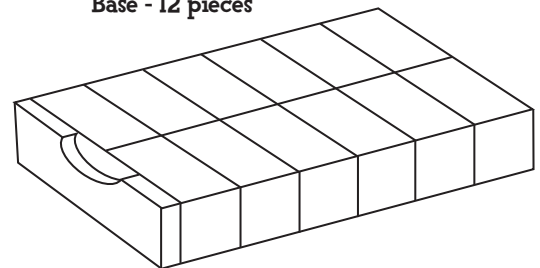
Train Cab - 12 pieces



Nose - 8 pieces



Base - 12 pieces



DECOPAC

On Top of the World's Best Selling Cakes®